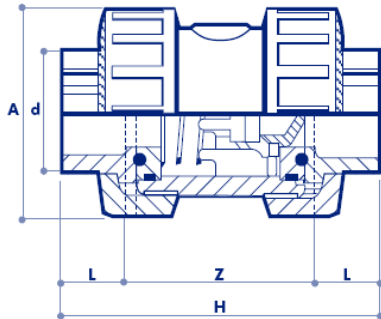


ABS & uPVC VALVES

CVD RANGE

ABS & uPVC DOUBLE UNION SPRING CHECK VALVE



Part No. CVD-13A (ABS BODY WITH EPDM SEALS & STAINLESS STEEL SPRING)
Part No. CVD-13P (uPVC BODY WITH EPDM SEALS & STAINLESS STEEL SPRING)
DOUBLE UNION SPRING CHECK VALVE WITH SOLVENT WELD ENDS

ABS is an extremely robust material used by many industries in systems for food and beverage production, sewerage and water treatment etc. ABS is extremely resistant to impact with good resistance to chemicals, is non-toxic, conforming to the toxicological requirements of the British Plastic Federation, British Industrial Biological Research Association Code of Practice for Food Usage 45/5, and EEC requirements for plastic materials in contact with foodstuffs.

uPVC is lightweight and has excellent resistance to chemicals and abrasion, is tasteless and odourless making it ideal for use with potable water systems and most food products. uPVC is resistant to most solutions of acids, alkalis, salts and solvents which can be mixed with water.

Features & Benefits

- WRAS Approved.
- ABS Approved to BS5392 part 1 .
- uPVC Approved to BS4346 part 1.
- Robust & lightweight.
- Spring loaded.
- Materials suitable for a wide range of applications.

Pressure & Temperature

Pressure range:-

ABS: Up to 15 bar
uPVC: Up to 16 bar

Temperature Range:-

0°C to 60°C.

SIZE	1/2	3/4	1	1 1/4	1 1/2	2
A	50	60	68	80	96	116
L	16	19	22	26	31	38
Z	48	53	58	68	78	93
d	12.7	19.1	25.4	31.8	38.1	50.8
H	80	91	102	120	140	169