

JV60E

**Ductile Iron Body
EPDM Lined
Marine Quality
Butterfly Valve**

Length to EN558-1 series 20

Mono Flange Type

DN50-DN300

**PN6/10/16/25, ANSI 150 & JIS 5/10K
(Specify when enquiring)**



Marine quality butterfly valve with a bonded EPDM liner suitable for many duties including water.

The butterfly valve offers quick opening and closing with full flow in either direction and leak tight shut off.

Flange gaskets not needed since the lining that extends onto the faces acts as a gasket.

Approvals, Features & Benefits

- Face to face acc. EN558-1 series 13
- 3.1 & 3.2 certification on request
- ISO 5211 top for direct mount actuation
- Supplied bare shaft as standard**

** Lever, gearbox, electric & pneumatic actuation available

Pressure & Temperature

Pressure range:-

50-200mm: 16 Bar
250-1000mm: 10 Bar

Temperature range:-

-30°C to 110°C

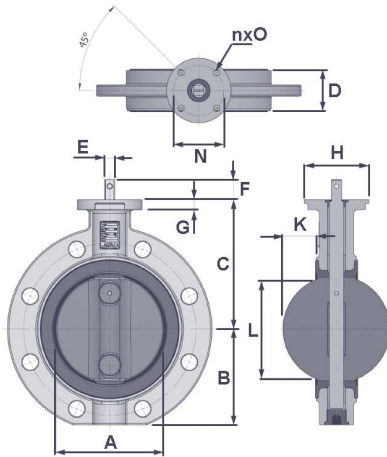
DN	50	65	80	100	125	150	200	250	300
A	52	63	78	103	125	155	201	249	302
B	65	78	97	98	110	133	168	204	245
C	118	126	133	147	160	180	204	245	270
D	43	46	46	52	56	56	60	68	78
E	11	11	11	11	14	14	17	22	22
F	26	26	26	26	28	28	30	30	32
G	12	13	14	14	14	14	14	15	16
H	90	90	90	90	90	90	90	125	125
K	5	9	16	26	34	50	71	91	112
L	31	45	64	90	110	145	193	241	291
N (ISO 5221)	F07	F07	F07	F07	F07	F07	F07	F10	F10
nxO	4 x 10	4 x 10	4 x 10	4 x 10	4 x 10	4 x 10	4 x 10	4 x 12	4 x 12
Torque (Nm)*	18.75	26.25	43.75	60	106.25	218.75	275	375	487.5
Weight Kg	3.0	3.8	4.6	6.1	8.4	10.9	15.9	25.9	37.8

* 50-200mm Torque calculated at 16 bar wet duty, pressure includes 25% safety, add 25% for dry duty.

* 250-1000mm Torque calculated at 10 bar wet duty, pressure includes 25% safety, add 25% for dry duty.

MATERIALS (others available on request, contact sales for details)

Body	Ductile Iron (GGG40)
Disc	Aluminium Bronze (AB2) or Stainless Steel (1.4408)
Liner	EPDM
Shaft	Stainless Steel



JV60E

**Ductile Iron Body
EPDM Lined
Marine Quality
Butterfly Valve**

Length to EN558-1 series 20

Mono Flange Type

DN350-DN1000

**PN6/10/16/25, ANSI 150 & JIS 5/10K
(Specify when enquiring)**



Marine quality butterfly valve with a bonded EPDM liner suitable for many duties including water.

The butterfly valve offers quick opening and closing with full flow in either direction and leak tight shut off.

Flange gaskets not needed since the lining that extends onto the faces acts as a gasket.

Approvals, Features & Benefits

- Face to face acc. EN558-1 series 13
- 3.1 & 3.2 certification on request
- ISO 5211 top for direct mount actuation
- Supplied bare shaft as standard**

** Lever, gearbox, electric & pneumatic actuation available

Pressure & Temperature

Pressure range:-

50-200mm: 16 Bar
250-1000mm: 10 Bar

Temperature range:-

-30°C to 110°C

DN	350	400	450	500	600	700	800	900	1000
A	340	397	438	489	590	700	800	900	1000
B	295	320	353	387	453	489	549	614	664
C	315	350	375	415	565	555	620	675	740
D	78	102	114	127	154	165	190	203	216
E	27	27	36	36	46	Ø70	Ø80	Ø90	Ø90
F	29	29	38	38	48	110	120	120	120
G	20	20	20	20	25	25	30	30	30
H	150	150	175	175	210	210	300	300	300
K	128	144	163	182	219	262	300	343	385
L	324	376	426	475	572	669	767	865	962
N (ISO 5221)	F12	F12	F14	F14	F16	F16	F25	F25	F25
nxO	4 x 14	4 x 14	4 x 18	4 x 18	4 x 22	4 x 22	8 x 18	8 x 18	8 x 18
Torque (Nm)*	487.5	800	1062.5	1375	2256.25	4375	4900	6875	9618.75
Weight Kg	61.9	81.9	114	148	238	370	620	690	960

* 50-200mm Torque calculated at 16 bar wet duty, pressure includes 25% safety, add 25% for dry duty.

* 250-1000mm Torque calculated at 10 bar wet duty, pressure includes 25% safety, add 25% for dry duty.

MATERIALS (others available on request, contact sales for details)

Body	Ductile Iron (GGG40)
Disc	Aluminium Bronze (AB2) or Stainless Steel (1.4408)
Liner	EPDM
Shaft	Stainless Steel