

JV36N

**Ductile Iron Body
NBR Lined
Marine Quality
Butterfly Valve**

**Length to JIS F7480
Double Flange Type**

**PN6/10/16, ANSI 150 & JIS 5/10K
(Specify when enquiring)**



Marine quality butterfly valve with a bonded NBR liner suitable for many duties including oils and hydrocarbons.

The butterfly valve offers quick opening and closing with full flow in either direction and leak tight shut off.

Flange gaskets not needed since the lining that extends onto the faces acts as a gasket.

Approvals, Features & Benefits

- Lloyds type approval (80-600mm)
- Face to face acc. JIS F7480
- 3.1 & 3.2 certification on request
- ISO 5211 top for direct mount actuation
- Supplied bare shaft as standard**

** Lever, gearbox, electric & pneumatic actuation available

Pressure & Temperature

Pressure range:-

50-200mm: 16 Bar
250-600mm: 10 Bar

Temperature range:-
0°C to 80°C

DN	50	65	80	100	125	150	200	250	300	350	400	450	500	550	600
A	80	80	80	100	125	150	200	250	300	350	400	450	500	550	600
B	67	74	82	100	112	134	159	195	220	282	307	352	387	420	452
C	118	126	133	147	160	180	204	245	270	315	350	375	387	420	452
D	45	45	60	60	100	100	100	110	110	120	130	150	160	170	170
E	11	11	11	11	14	14	17	22	22	27	27	36	36	36	46
F	25	25	25	25	28	28	28	30	30	29	29	38	38	38	48
G	12	12	12	12	14	14	14	15	15	20	20	20	20	25	25
H	90	90	90	90	90	90	90	125	125	150	150	175	175	210	210
K	10	10	10	20	12	25	50	70	85	115	135	150	170	190	215
L	35	35	35	45	57	70	100	125	150	250	280	320	380	488	544
N (ISO 5221)	F07	F07	F07	F07	F07	F07	F07	F10	F10	F12	F12	F14	F14	F14	F16
nxO	4 x 9	4 x 9	4 x 9	4 x 9	4 x 9	4 x 9	4 x 9	4 x 11	4 x 11	4 x 14	4 x 14	4 x 18	4 x 18	4 x 22	4 x 22
Torque (Nm)*	13.75	18.75	26.25	43.75	60	106.25	218.75	275	375	487.5	800	1062.5	1375	1875	2256.25
Flange	PN16	PN16	PN16	PN16	PN16	PN16	PN16	PN10	PN10	PN10	PN10	PN10	PN10	PN10	PN10
Weight Kg	4.5	5.4	5.8	9	11	14	19	32	50	70	98	120	170	180	260

* 50-200mm Torque calculated at 16 bar wet duty, pressure includes 25% safety, add 25% for dry duty.

* 250-600mm Torque calculated at 10 bar wet duty, pressure includes 25% safety, add 25% for dry duty.

MATERIALS (others available on request, contact sales for details)

Body	Ductile Iron (GGG40)
Disc	Aluminium Bronze (AB2) or Stainless Steel (1.4408)
Liner	NBR
Shaft	Stainless Steel

Do you require class approved valves? Contact sales for availability.

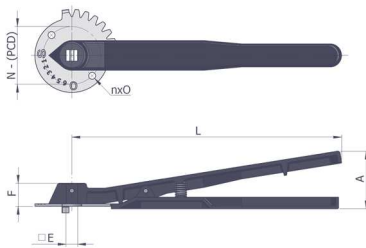


Levers & Gearboxes For Butterfly Valves

JV36 - 46 - 57 - 60 - 64 - 52

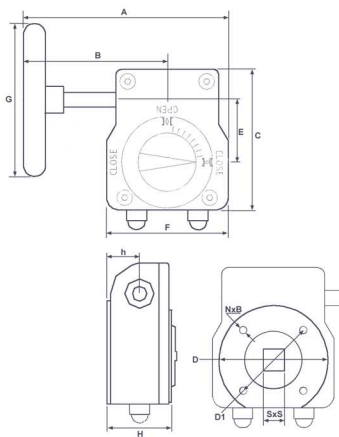


JV241000 - Spring Ratchet Lever



JV241000 - Spring Ratchet Lever c/w Open/Shut Indicator				
Size	F07-11	F07-14	F07-17	F10-22
Valve Size DN	40 to 100	125 to 150	200	250 to 300
ISO 5211	F07	F07	F07	F10
E (Square)	11x11	14x14	17x17	22x22
nxO	2xØ9	2xØ9	2xØ9	2xØ11
N (PCD)	70	70	70	102
L	232	329	329	400
A	57.5	69	69	80.5

JV241001 - Aluminium Gearbox & Handwheel



JV241001 - Aluminium Gearbox c/w Handwheel & Open/Shut Indicator						
Size	F07-11	F07-14	F07-17	F10-22	F12-27	F14-36
Valve Size DN	40 to 100	125 to 150	200	250 to 300	350 to 400	450 to 500
ISO 5211	F05	F07	F07	F10	F12	F14
SxS	11x11	14x14	17x17	22x22	27x27	36x36
NxB	4xM8	4xM8	4xM8	4xM10	4xM12	4xM16
D	80	80	89	140	175	175
D1	70	70	70	102	125	140
A	139	139	165	293	350	410
B	99	99	115	220	260	323
C	98	98	115	155	191	191
E	42.5	42.5	50	60	80	80
F	80	80	100	146	17	175
G	120	120	200	260	300	400
H	48	48	54	71	80	80
h	26	26	27	38	39.5	39.5
Gear Ratio	40:1	40:1	37:1	45:1	40:1	40:1
Input Torque Nm	18.5	18.5	34	83	150	150
Output Torque Nm	150	150	250	750	1200	1200

JV240107 - Ductile Iron Gearbox & Handwheel



Contact sales for further details

JV240108 - Stainless Steel Gearbox & Handwheel



Contact sales for further details