

**JV090019**  
Stainless Steel  
2-Piece Ball Valve  
ISO 5211 Mount  
c/w Operating Lever  
Flanged  
PN16/40



A versatile and robust two-piece stainless steel ball valve suitable for a wide range of isolation applications.

The quarter turn operation in conjunction with the PTFE seats provides fast positive isolation.

This valve can be locked in either the open or closed position.

**Approvals, Features & Benefits**

- Face to face: DIN 3202 F4, EN 558-1-27
- ATEX approved
- ISO 5211 direct mounting pad
- Lockable device when lever is fitted
- Full bore

**Pressure & Temperature**

Pressure range :-

DN15 - 50 : PN40 rated  
DN65 - 100 : PN16 rated

Temperature range\*:-  
-25°C to 200°C

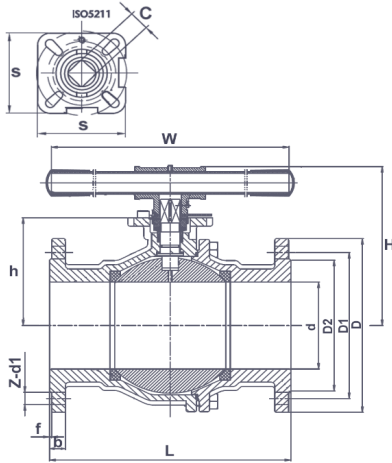
\* Dependent on pressure

DN	15	20	25	32	40	50	65	80	100
<b>d</b>	15	20	25	32	40	50	65	80	100
<b>L</b>	115	120	125	130	140	150	170	180	190
<b>D</b>	95	105	115	140	150	165	185	200	220
<b>D1</b>	65	75	85	100	110	125	145	160	180
<b>D2</b>	45	58	68	78	88	102	122	138	158
<b>b</b>	16	18	18	18	18	20	18	20	20
<b>f</b>	2	2	2	2	3	3	3	3	3
<b>H</b>	82	87	90	100	105	125	142	155	168
<b>W</b>	120	120	160	160	200	200	255	255	300
<b>C</b>	9	9	11	11	14	14	17	17	17
<b>ISO5211</b>	F03/F04	F03/F04	F04/F05	F04/F05	F05/F07	F05/F07	F07/F10	F07/F10	F07/F10
<b>Z-d1</b>	4 x Ø14	4 x Ø14	4 x Ø14	4 x Ø18	4 x Ø18	4 x Ø18	4 x Ø18	8 x Ø18	8 x Ø18
<b>h</b>	48	53	58.5	71	76.5	85	100	112.5	125.5
<b>s</b>	42.6	42.6	50	50	64.5	64.5	93.6	93.6	93.6
<b>Torque*</b>	6.3	10	12.5	17.5	25	37.5	47.5	93.8	137.5
<b>Weight Kgs</b>	2.91	3.38	3.73	4.95	6.1	8.9	12.8	18.9	26.6

\* Torque calculated at zero pressure includes 25% safety, add 25% for dry duty.

**MATERIALS**

<b>Body</b>	Stainless Steel (CFM8)
<b>Ball</b>	Stainless Steel (316)
<b>O-ring</b>	Viton
<b>Seats</b>	RPTFE (15%)
<b>Stem</b>	Stainless Steel (316)



**JV090019**  
Stainless Steel  
2-Piece Ball Valve  
ISO 5211 Mount  
c/w Operating T-Bar Lever

Flanged  
PN16



A versatile and robust two-piece stainless steel ball valve suitable for a wide range of isolation applications.

The quarter turn operation in conjunction with the PTFE seats provides fast positive isolation.

This valve can be locked in either the open or closed position.

**Approvals, Features & Benefits**

- Face to face: DIN 3202 F4, EN 558-1-27
- ATEX approved
- ISO 5211 direct mounting pad
- Lockable device when lever is fitted
- Full bore

**Pressure & Temperature**

Pressure range :-  
PN16 rated

Temperature range\*:-  
-25°C to 180°C

\* Dependent on pressure

DN	125	150	200
d	125	150	200
L	325	350	400
D	250	285	340
D1	210	240	295
D2	188	212	268
b	22	22	24
f	3	3	3
H	228	246	310
W	600	600	800
C	22	22	27
ISO5211	F10/F12	F10/F12	F12/F14
Z-d1	8 x Ø18	12 x Ø22	12 x Ø22
h	155	172.5	217
s	114	114	131
Torque*	250	375	500
Weight Kgs	48.43	68	118.17

\* Torque calculated at zero pressure includes 25% safety, add 25% for dry duty.

**MATERIALS**

Body	Stainless Steel (CFM8)
Ball	Stainless Steel (316)
O-ring	Viton
Seats	RPTFE (15%)
Stem	Stainless Steel (316)