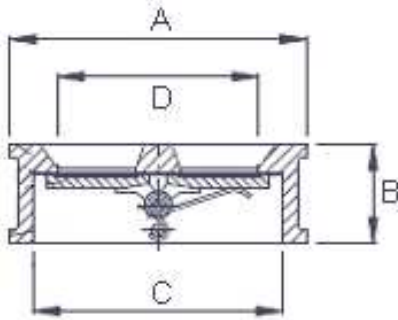


JV081007

Ductile Iron (Epoxy Coated) Body
NBR Seat
Marine Quality
Dual Plate
Spring-Loaded
Check (Non-Return) Valve
Short Length
Multi-Flange Wafer Type
PN10/16



A marine duty ductile iron, spring loaded dual plate check valve with aluminium bronze flaps and NBR seats suitable for cold and hot water, seawater, fuel oil and other non-aggressive medium.

Features, Benefits & Approvals

- Marine duty
- Compact & lightweight
- Spring loaded plates
- Low opening pressure

Pressure & Temperature

Maximum pressure:-

DN50-200 : PN16 rated
DN250-300 : PN10 rated (PN16 on request)
DN350-800 : PN10 rated

Temperature range:-

-40°C to 100°C

DN	50	65	80	100	125	150	200	250	300	350
A	107	127	142	162	192	218	273	328	378	438
B	43	46	64	64	70	76	89	114	114	127
C	71	80	93	116	145	170	221	275	325	360
D	40	58	69	87	115	132	181	218	257	298
Weight Kg	1.6	2.4	3.7	4.5	6.5	9.1	15.5	24.6	33.9	70

DN	400	450 (PN10)	450 (PN16)	500 (PN10)	500 (PN16)	600 (PN10)	600 (PN16)
A	490	532	550	585	610	685	725
B	140	152	152	152	152	178	178
C	410	450	450	505	505	624	624
D	350	385	385	438	438	538	538
Weight Kg	97	128	128	175	175	210	210

MATERIALS

Body	Ductile Iron GGG40 (Epoxy Coated)
Flaps	Aluminium Bronze
Seat	NBR (Options of EPDM & KFM)
Shaft	Stainless Steel (316)
Spring	Stainless Steel (316)