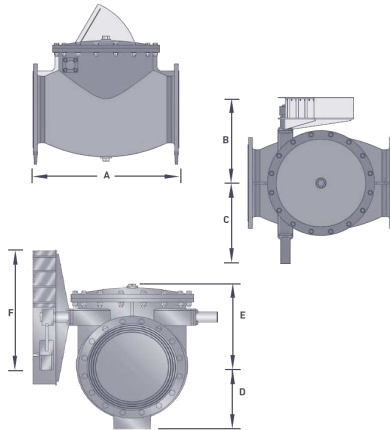


JV080038

Series 2200

Ductile Iron (Epoxy Coated) Body
EPDM Seals
Swing Type
Check (Non-Return) Valve
c/w Outside Lever & Weight
Flanged
PN16



The JV080037 is a metal seated swing check (non-return) valve with EPDM seals used to prevent reverse flow. In this case an outside lever and weight is fitted to the standard valve to aid closure when gravity is insufficient to close the valve fast enough.

This valve has WRAS approved non-metallic components making it particularly suitable for potable water, wastewater and sewage applications.

Approvals, Features & Benefits

- WRAS listed materials
- BSEN1074 Pt 3, BSEN12334, BS5153
- Face to face to EN558-1, 1986 Table 3
- Suitable for both horizontal & vertical installation
- Corrosion resistant construction
- Robust low maintenance design
- Drilling bosses & 1/2" BSP air release as standard

Pressure & Temperature

Pressure range:-
16 bar

Temperature range*:-
-10°C to 70°C

*Insulate at 0°C and below

DN	350	400	450	500	600	700	800	900	1000	1200
A	788	915	965	1067	1219	1420	1560	1730	1880	2185
B	490	550	590	635	705	835	950	1035	1200	1450
C	460	515	555	590	645	765	870	950	1100	1330
D	300	350	370	390	460	530	600	690	800	900
E	410	470	510	560	690	720	830	940	1090	1230
F	600	670	740	810	960	1140	1285	1450	1650	1840
Flange PCD	470	525	585	650	770	840	950	1050	1170	1390
Flange Bolts	16 x M24	16 x M27	20 x M27	20 x M30	20 x M33	24 x M33	24 x M36	28 x M36	28 x M39	32 x M45
Weight Kg	350	495	650	790	1285	1750	2640	3750	5830	9400

MATERIALS

Body, Disc, Cover & Hanger	Ductile Iron (EN1563 Gr-500/7)
Seat, Bearings & Air Release Plug	Bronze (EN1982 CC491K)
Shafts	Stainless Steel (EN10088 1.4021)
Fasteners	Stainless Steel (EN10088 1.4301)
Seals	EPDM (WRAS listed)
Coating	Fusion Body Epoxy (> 300µ WRAS listed)

OPTIONS

Without Outside Lever & Weight	Outside Lever & Weight Mounted On Opposite Side
Flow Sensing Switch	By-pass Assembly c/w Isolation Valve
Alternative Flange Drillings (BS10 & ANSI)	25 Bar Version